

CONTENTS

TAPIS.PL
ul. Wedkarska 5

93-458 Lodz
e-mail: spa@tapis.pl


tel. (042) 682 42 23
kom.: 796 131 171

| | | | |
|--------|--------|---|---|
| CONTUR | Square |  | 3 |
| CONTUR | Flute | | 4 |
| CONTUR | Smooth | | 5 |

| | | | |
|--------------|--------|---|---|
| PURE-ART - A | Smooth |  | 6 |
| PURE-ART - B | Smooth | | 7 |

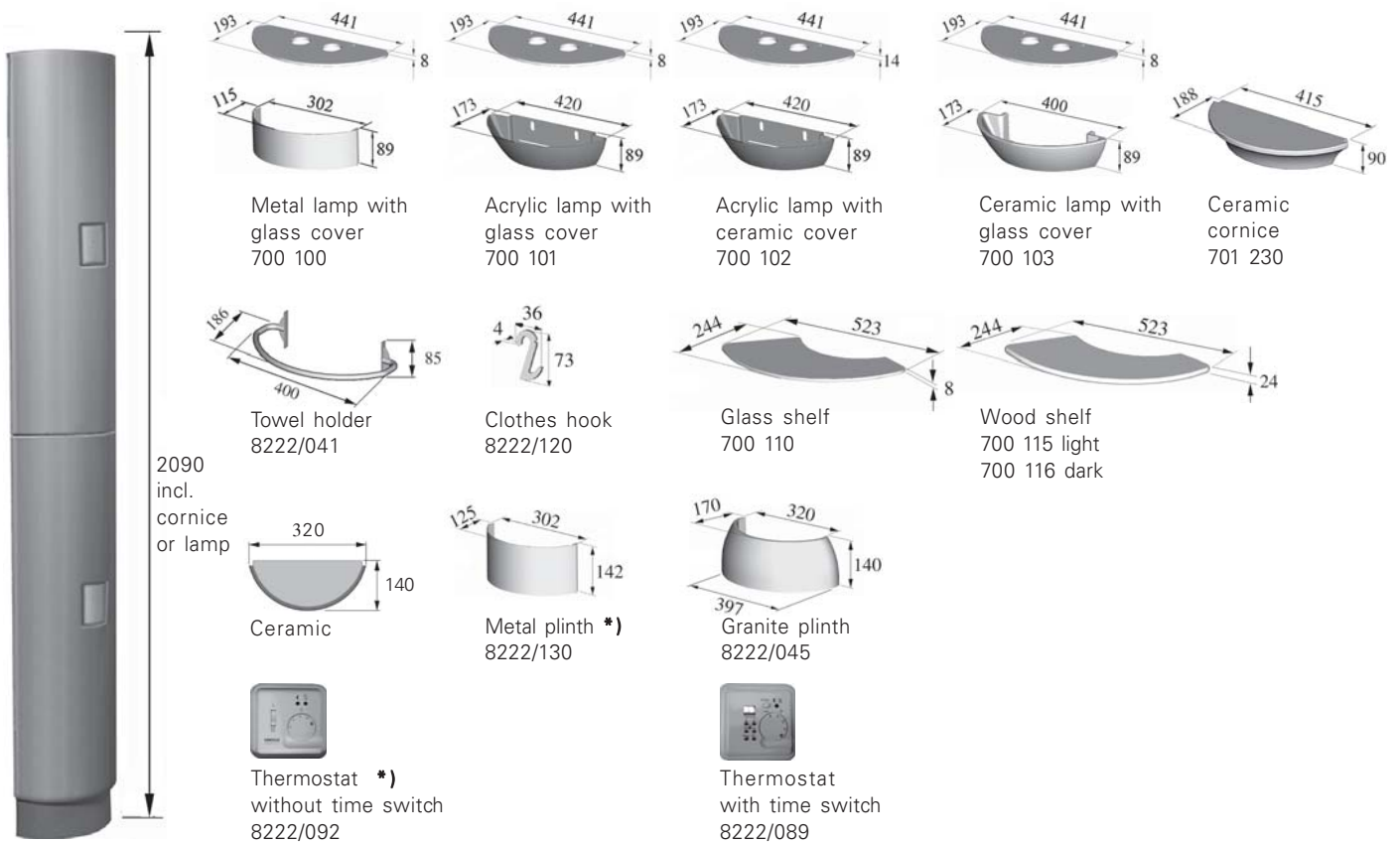
| | | | |
|-----------|--------|--|---|
| PLANE-ART | Square |  | 8 |
| PLANE-ART | Flute | | 9 |

| | | | |
|--------|--------|---|----|
| SPACEY | Smooth |  | 10 |
|--------|--------|---|----|

| | | | |
|----------|--------|---|----|
| LOFT - A | Flute |  | 11 |
| LOFT - A | Smooth | | 12 |
| LOFT - B | Flute | | 13 |
| LOFT - B | Smooth | | 14 |

| | | | |
|--------|--------|---|----|
| VISION | Smooth |  | 15 |
|--------|--------|---|----|

CONTUR Square

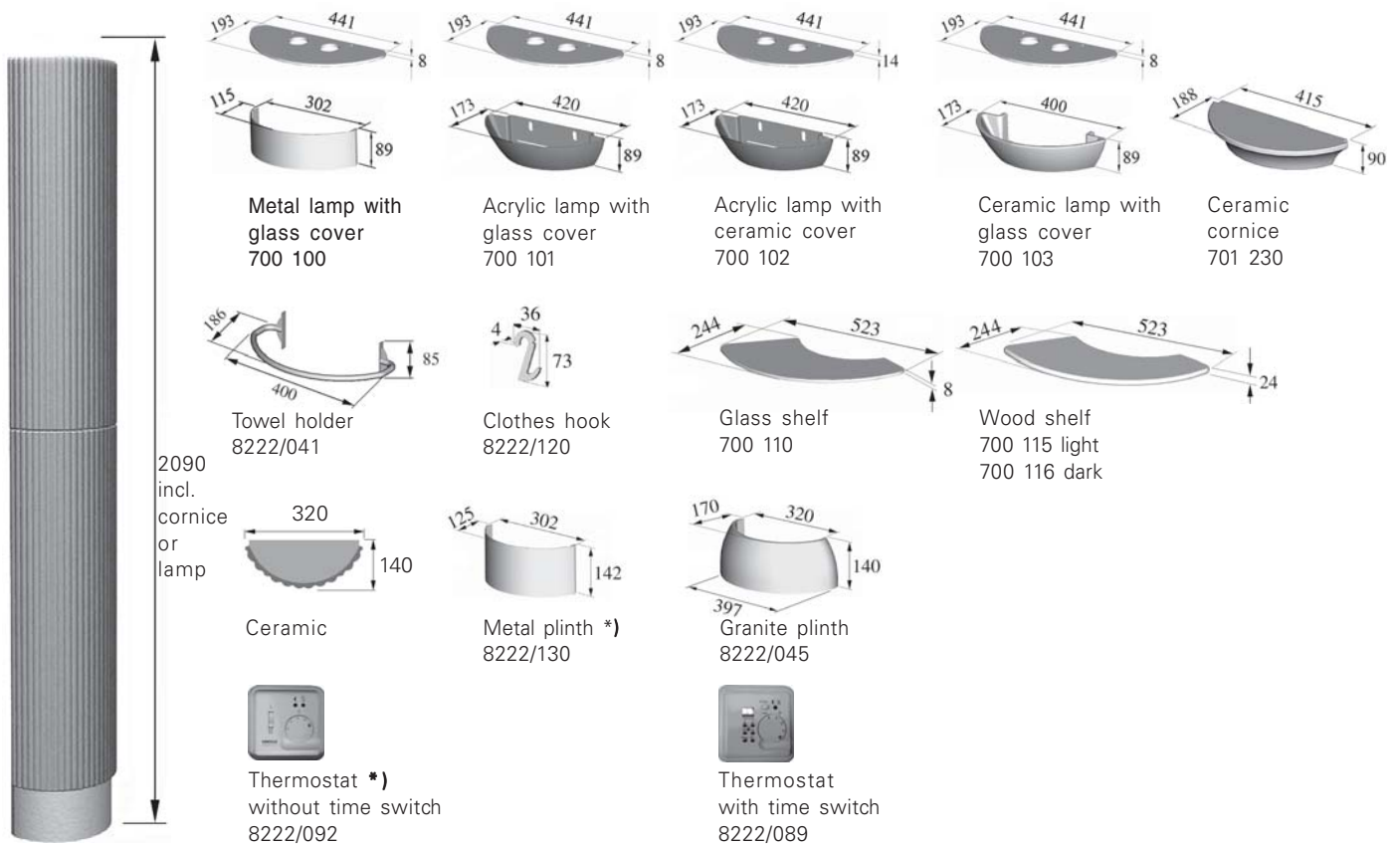


| Item name | Art.No.. | Dim. H/W/D (mm) | /p.c. | Order amount | Glazes | Model | Square |
|--|---------------|------------------------------|---------|--------------|--------------------------|-------|--------|
| CONTUR Square *) | CBO2090-320WS | 2090x320x140 | 1983,00 | | Shiny-Glazes | | |
| Heating with water + electricity | | | | | 751 white | | |
| CONTUR Square *) | CBO2090-320ST | 2090x320x140 | 1842,00 | | 752 alabaster gloss | | |
| Heating with electricity | | | | | 753 black | | |
| CONTUR Square *) | CBO2090-320WA | 2090x320x140 | 1520,00 | | | | |
| Heating with water | | | | | Matt-Glazes | | |
| Accessories | | | | | 461 alabaster matt | | |
| Metal lamp with glass cover | 700100 | 89x302x115/8x441x193 | 291,00 | | 735 off-white | | |
| Acrylic lamp with glass cover | 700101 | 89x420x173/8x441x193 | 310,00 | | 737 com | | |
| Acrylic lamp with ceramic cover | 700102 | 89x420x173/14x441x193 | 373,00 | | | | |
| Ceramic lamp with glass cover | 700103 | 89x400x173/8x441x193 | 336,00 | | Structured-Glazes | | |
| Ceramic cornice | 701230 | 90x415x188 | 104,00 | | 213 solnhofen | | |
| Towel holder stainless steel | 8222/041 | 85x400x186 | 149,00 | | 215 ochre medium | | |
| Towel holder gold shiny | 8222/103 | 85x400x186 | 264,00 | | 432 cocoa medium | | |
| Towel holder chrome shiny | 8222/104 | 85x400x186 | 213,00 | | 433 cocoa dark | | |
| Towel holder chrome matt | 8222/105 | 85x400x186 | 227,00 | | 434 slate | | |
| Glass shelf (Order towel holder with this!) | 700110 | 8x523x244 | 107,00 | | 436 sandstone medium | | |
| Wood shelf light (Order towel holder with this!) | 700115 | 24x523x247 | 163,00 | | 438 sandstone | | |
| Wood shelf dark (Order towel holder with this!) | 700116 | 24x523x247 | 163,00 | | 722 graphite | | |
| Clothes hook stainless steel | 8222/120 | 73x4x36 | 7,00 | | 723 lava | | |
| Metal plinth *) | 8222/130 | 142x302x125 | | | 725 saffron | | |
| Granite plinth | 8222/045 | 140x392x170 (Surcharge) | 63,00 | | 742 earth | | |
| Metal plinth (Paint in RAL) | 8222/111 | 142x302x125 (Surcharge) | 94,00 | | | | |
| Technology | | | | | | | |
| Control accessory: Thermostat *) | 8222/092 | without time switch | | | | | |
| Control accessory: Thermostat | 8222/089 | with time switch (Surcharge) | 121,00 | | | | |

All prices excl. VAT
Dimensions in mm, not to scale
See assembly instructions, column 6
Subject to errors and technical changes

*) Standard option:
Metal plinth 8222/130, screw set, assembly instructions
Heating with water: 2 wall connectors - shutoff valve 1/2" AG
Heating with electricity: Thermostat 8222/092

CONTUR Flute

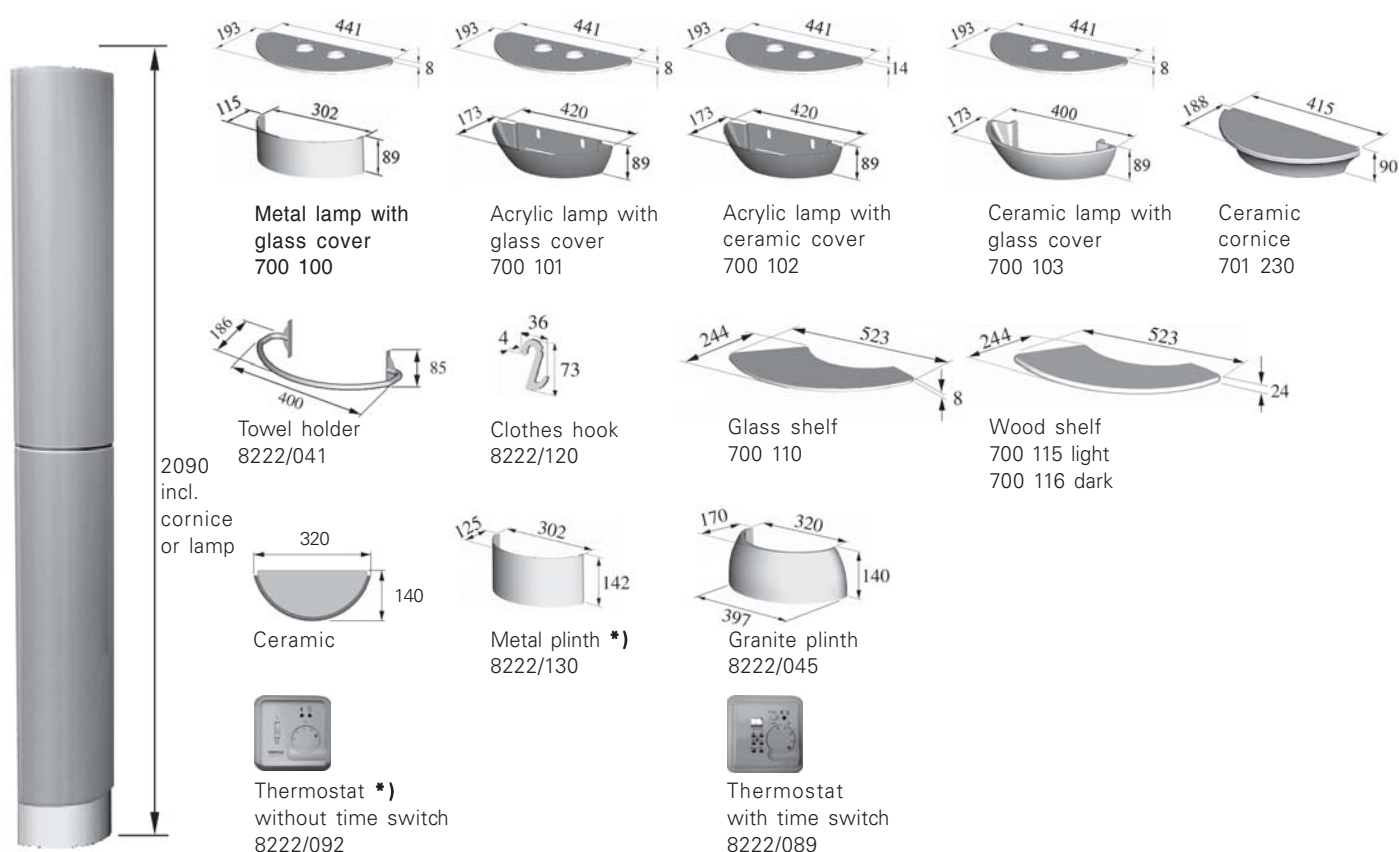


| Item name | Art.No.. | Dim. H/W/D (mm) | /p c. | Order amount | Glazes | Model |
|--|---------------|------------------------------|---------|--------------|--------------------------|-------|
| CONTUR Flute*) | CBR2090-320WS | 2090x320x140 | 2003,00 | | Shiny-Glazes | |
| Heating with water + electricity | | | | | 751 white | |
| CONTUR Flute *) | CBR2090-320ST | 2090x320x140 | 1863,00 | | 752 alabaster gloss | |
| Heating with electricity | | | | | 753 black | |
| CONTUR Flute *) | CBR2090-320WA | 2090x320x140 | 1540,00 | | Matt-Glazes | |
| Heating with water | | | | | 461 alabaster matt | |
| Accessories | | | | | | |
| Metal lamp with glass cover | 700100 | 89x302x115/8x441x193 | 291,00 | | 735 off-white | |
| Acrylic lamp with glass cover | 700101 | 89x420x173/8x441x193 | 310,00 | | 737 corn | |
| Acrylic lamp with ceramic cover | 700102 | 89x420x173/14x441x193 | 373,00 | | | |
| Ceramic lamp with glass cover | 700103 | 89x400x173/8x441x193 | 336,00 | | Structured-Glazes | |
| Ceramic cornice | 701230 | 90x415x188 | 104,00 | | not possible due to | |
| Towel holder stainless steel | 8222/041 | 85x400x186 | 149,00 | | production techniques | |
| Towel holder gold shiny | 8222/103 | 85x400x186 | 264,00 | | | |
| Towel holder chrome shiny | 8222/104 | 85x400x186 | 213,00 | | | |
| Towel holder chrome matt | 8222/105 | 85x400x186 | 227,00 | | | |
| Glass shelf (Order towel holder with this!) | 700110 | 8x523x244 | 107,00 | | | |
| Wood shelf light (Order towel holder with this!) | 700115 | 24x523x247 | 163,00 | | | |
| Wood shelf dark (Order towel holder with this!) | 700116 | 24x523x247 | 163,00 | | | |
| Clothes hook stainless steel | 8222/120 | 73x4x36 | 7,00 | | | |
| Metal plinth*) | 8222/130 | 142x302x125 | | | | |
| Granite plinth | 8222/045 | 140x392x170 (Surcharge) | 63,00 | | | |
| Metal plinth (Paint in RAL) | 8222/111 | 142x302x125 (Surcharge) | 94,00 | | | |
| Technology | | | | | | |
| Control accessory: Thermostat*) | 8222/092 | without time switch | | | | |
| Control accessory: Thermostat | 8222/089 | with time switch (Surcharge) | 121,00 | | | |

All prices excl. VAT
Dimensions in mm, not to scale
See assembly instructions, column 6
Subject to errors and technical changes

*) Standard option:
Metal plinth 8222/130, screw set, assembly instructions
Heating with water: 2 wall connectors - shutoff valve 1/2" AG
Heating with electricity: Thermostat 8222/092

CONTUR Smooth

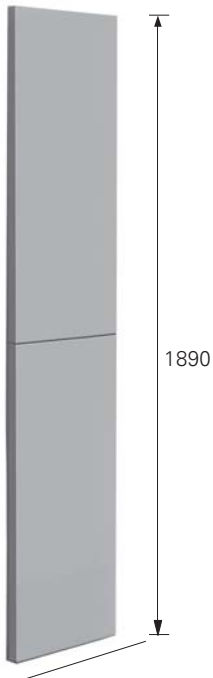


| Item name | Art.No.. | Dim. H/W/D (mm) | /p c. | Order amount | Glazes | Model |
|--|---------------|------------------------------|---------|--------------|--------------------------|-------|
| CONTUR Smooth*) | CBG2090-320WS | 2090x320x140 | 1919,00 | | Shiny-Glazes | |
| Heating with water + electricity | | | | | 751 white | |
| CONTUR Smooth*) | CBG2090-320ST | 2090x320x140 | 1778,00 | | 752 alabaster gloss | |
| Heating with electricity | | | | | 753 black | |
| CONTUR Smooth*) | CBG2090-320WA | 2090x320x140 | 1456,00 | | Matt-Glazes | |
| Heating with water | | | | | | |
| Accessories | | | | | 461 alabaster matt | |
| Metal lamp with glass cover | 700100 | 89x302x115/8x441x193 | 291,00 | | 735 off-white | |
| Acrylic lamp with glass cover | 700101 | 89x420x173/8x441x193 | 310,00 | | 737 com | |
| Acrylic lamp with ceramic cover | 700102 | 89x420x173/14x441x193 | 373,00 | | | |
| Ceramic lamp with glass cover | 700103 | 89x400x173/8x441x193 | 336,00 | | Structured-Glazes | |
| Ceramic cornice | 701230 | 90x415x188 | 104,00 | | 213 solnhofen | |
| Towel holder stainless steel | 8222/041 | 85x400x186 | 149,00 | | 215 ochre medium | |
| Towel holder gold shiny | 8222/103 | 85x400x186 | 264,00 | | 432 cocoa medium | |
| Towel holder chrome shiny | 8222/104 | 85x400x186 | 213,00 | | 433 cocoa dark | |
| Towel holder chrome matt | 8222/105 | 85x400x186 | 227,00 | | 434 slate | |
| Glass shelf (Order towel holder with this!) | 700110 | 8x523x244 | 107,00 | | 436 sandstone medium | |
| Wood shelf light (Order towel holder with this!) | 700115 | 24x523x247 | 163,00 | | 438 sandstone | |
| Wood shelf dark (Order towel holder with this!) | 700116 | 24x523x247 | 163,00 | | 722 graphite | |
| Clothes hook stainless steel | 8222/120 | 73x4x36 | 7,00 | | 723 lava | |
| Metal plinth*) | 8222/130 | 142x302x125 | | | 725 saffron | |
| Granite plinth | 8222/045 | 140x392x170 (Surcharge) | 63,00 | | 742 earth | |
| Metal plinth (Paint in RAL) | 8222/111 | 142x302x125 (Surcharge) | 94,00 | | | |
| Technology | | | | | | |
| Control accessory: Thermostat *) | 8222/092 | without time switch | | | | |
| Control accessory: Thermostat | 8222/089 | with time switch (Surcharge) | 121,00 | | | |

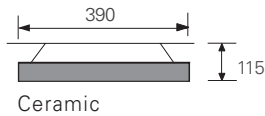
All prices excl. VAT
Dimensions in mm, not to scale
See assembly instructions, column 6
Subject to errors and technical changes

*) Standard option:
Metal plinth 8222/130, screw set, assembly instructions
Heating with water: 2 wall connectors - shutoff valve 1/2" AG
Heating with electricity: Thermostat 8222/092

PURE-ART - A Smooth



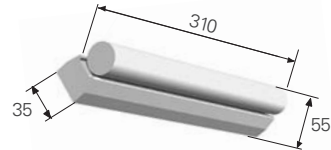
Light front and top
700 151



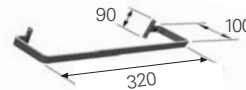
Ceramic



Thermostat *)
without time switch
8222/092



Light
700 150



Towel holder
8222/047



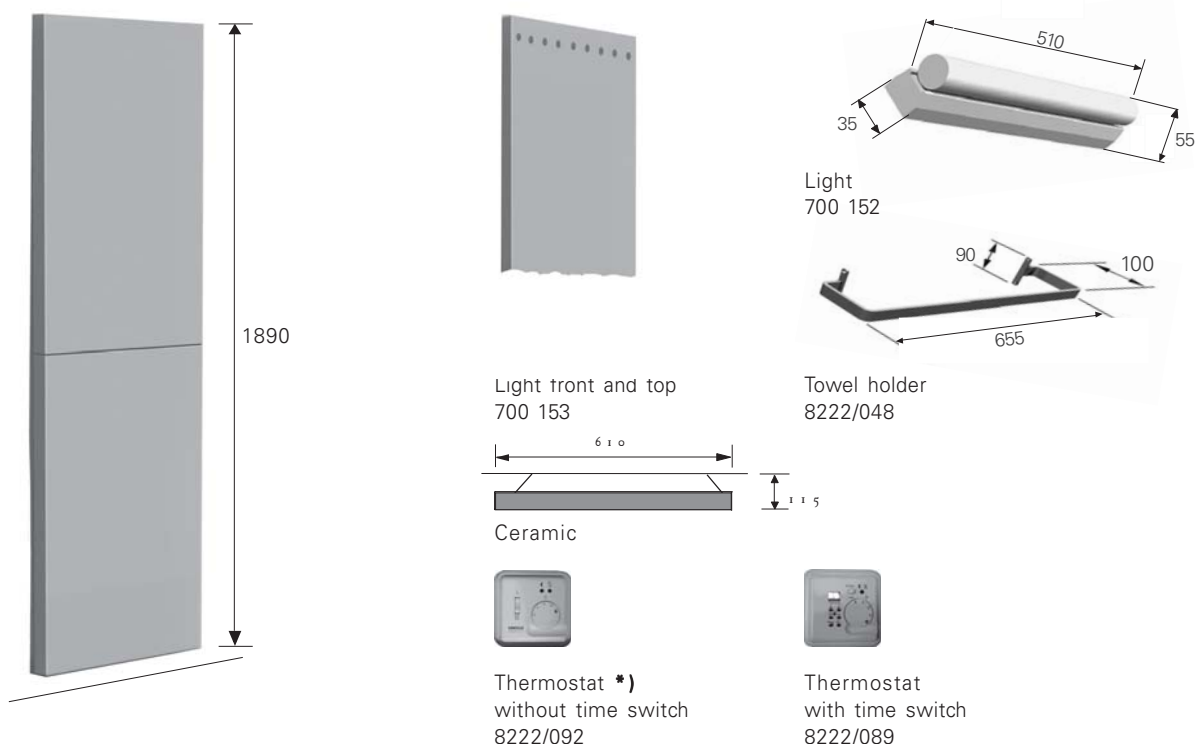
Thermostat
with time switch
8222/089

| Item name | Art.No.. | Dim. H/W/D (mm) | / p c . | Order amount | Glazes | Model |
|----------------------------------|---------------|------------------------------|---------|--------------|--------------------------|-------|
| PURE-ART - A Smooth *) | PAG1890-390WS | 1890x390x115 | 2224,00 | | Shiny-Glazes | |
| Heating with water + electricity | | | | | 751 white | |
| PURE-ART - A Smooth *) | PAG1890-390ST | 1890x390x115 | 2010,00 | | 752 alabaster gloss | |
| Heating with electricity | | | | | 753 black | |
| PURE-ART - A Smooth *) | PAG1890-390WA | 1890x390x115 | 1669,00 | | Matt-Glazes | |
| Heating with water | | | | | 461 alabaster matt | |
| Accessories | | | | | 735 off-white | |
| Light top | 700 150 | | 100,00 | | 737 corn | |
| Light front and top | 700 151 | | 208,00 | | Structured-Glazes | |
| Towel holder stainless steel | 8222/047 | 90x435x100 | 174,00 | | 213 solnhofen | |
| Towel holder gold shiny | 8222/360 | 90x435x100 | 322,00 | | 215 ochre medium | |
| Towel holder chrome shiny | 8222/361 | 90x435x100 | 272,00 | | 432 cocoa medium | |
| Towel holder chrome matt | 8222/362 | 90x435x100 | 291,00 | | 433 cocoa dark | |
| Technology | | | | | 434 slate | |
| Control accessory: Thermostat *) | 8222/092 | without time switch | | | 436 sandstone medium | |
| Control accessory: Thermostat | 8222/089 | with time switch (Surcharge) | 121,00 | | 438 sandstone | |
| | | | | | 722 graphite | |
| | | | | | 723 lava | |
| | | | | | 725 saffron | |
| | | | | | 742 earth | |

All prices excl. VAT
Dimensions in mm, not to scale
See assembly instructions, column 6
Subject to errors and technical changes

*) Standard option:
Screw set, assembly instructions
Heating with water: 2 wall connectors - shutoff valve 1/2" AG
Heating with electricity: Thermostat 8222/092

PURE-ART - B Smooth



| Item name | Art.No.. | Dim. H/W/D (mm) | / p.c. | Order amount | Glazes | Model |
|----------------------------------|--------------|------------------------------|---------|--------------|--------------------------|-------|
| PURE-ART - B Smooth*) | PBG1890610WS | 1890x610x115 | 3014,00 | | Shiny-Glazes | |
| Heating with water + electricity | | | | | 751 white | |
| PURE-ART - B Smooth*) | PBG1890610ST | 1890x610x115 | 2611,00 | | 752 alabaster gloss | |
| Heating with electricity | | | | | 753 black | |
| PURE-ART - B Smooth*) | PBG1890610WA | 1890x610x115 | 2333,00 | | Matt-Glazes | |
| Heating with water | | | | | 461 alabaster matt | |
| Accessories | | | | | 735 off-white | |
| Light top | 700152 | | 111,00 | | 737 corn | |
| Light front and top | 700153 | | 222,00 | | | |
| Towel holder stainless steel | 8222/048 | 90x655x100 | 199,00 | | Structured-Glazes | |
| Towel holder gold shiny | 8222/363 | 90x655x100 | 407,00 | | 213 solnhofen | |
| Towel holder chrome shiny | 8222/364 | 90x655x100 | 334,00 | | 215 ochre medium | |
| Towel holder chrome matt | 8222/365 | 90x655x100 | 359,00 | | 432 cocoa medium | |
| Technology | | | | | 433 cocoa dark | |
| Control accessory: Thermostat*) | 8222/092 | without time switch | | | 434 slate | |
| Control accessory: Thermostat | 8222/089 | with time switch (Surcharge) | 121,00 | | 436 sandstone medium | |
| | | | | | 438 sandstone | |
| | | | | | 722 graphite | |
| | | | | | 723 lava | |
| | | | | | 725 saffron | |
| | | | | | 742 earth | |

All prices excl. VAT
 Dimensions in mm, not to scale
 See assembly instructions, column 6
 Subject to errors and technical changes

*) Standard option:
 Screw set, assembly instructions
 Heating with water: 2 wall connectors - shutoff valve 1/2" AG
 Heating with electricity: Thermostat 8222/092

PLANE-ART Square



Towel holder
8222/043



Clothes hook
8222/120



Ceramic



Thermostat*)
without time switch
8222/092



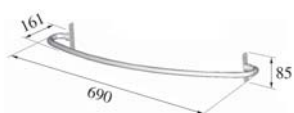
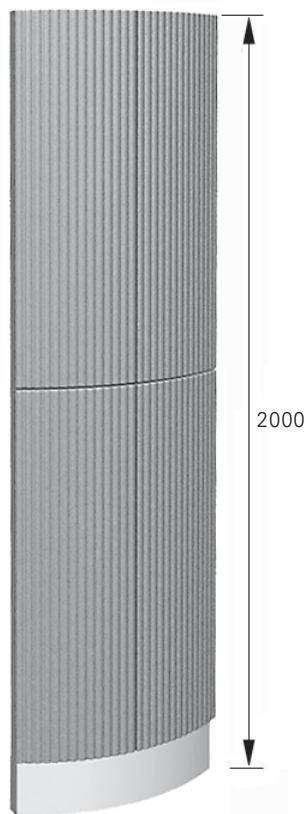
Thermostat
with time switch
8222/089

| Item name | Art.No.. | Dim. H/W/D (mm) | /p c. | Order amount | Glazes | Model | Square |
|----------------------------------|---------------|------------------------------|---------|--------------|--------------------------|-------|--------|
| PLANE-ART Square *) | PAQ2000-600WS | 2000x600x100 | 2830,00 | | Shiny-Glazes | | |
| Heating with water + electricity | | | | | 751 white | | |
| PLANE-ART Square *) | PAQ2000-600ST | 2000x600x100 | 2626,00 | | 752 alabaster gloss | | |
| Heating with electricity | | | | | 753 black | | |
| PLANE-ART Square *) | PAQ2000-600WA | 2000x600x100 | 2085,00 | | | | |
| Heating with water | | | | | Matt-Glazes | | |
| Accessories | | | | | 461 alabaster matt | | |
| Towel holder stainless steel | 8222/043 | 690x161x85 | 231,00 | | 735 off-white | | |
| Towel holder gold shiny | 8222/106 | 690x161x85 | 371,00 | | 737 com | | |
| Towel holder chrome shiny | 8222/107 | 690x161x85 | 298,00 | | | | |
| Towel holder chrome matt | 8222/108 | 690x161x85 | 311,00 | | Structured-Glazes | | |
| Clothes hook stainless steel | 8222/120 | 73x4x36 | 7,00 | | 213 solnhofen | | |
| Metal plinth*) | | 142x595x90 | | | 215 ochre medium | | |
| Technology | | | | | 432 cocoa medium | | |
| Control accessory: Thermostat *) | 8222/092 | without time switch | | | 433 cocoa dark | | |
| Control accessory: Thermostat | 8222/089 | with time switch (Surcharge) | 121,00 | | 434 slate | | |
| | | | | | 436 sandstone medium | | |
| | | | | | 438 sandstone | | |
| | | | | | 722 graphite | | |
| | | | | | 723 lava | | |
| | | | | | 725 saffron | | |
| | | | | | 742 earth | | |

All prices excl. VAT
Dimensions in mm, not to scale
See assembly instructions, column 6
Subject to errors and technical changes

*) Standard option:
Metal plinth, screw set, assembly instructions
Heating with water: 2 wall connectors - shutoff valve 1/2" AG
Heating with electricity: Thermostat 8222/092

PLANE-ART Flute



Towel holder
8222/043



Clothes hook
8222/120



Ceramic



Thermostat *)
without time switch
8222/092



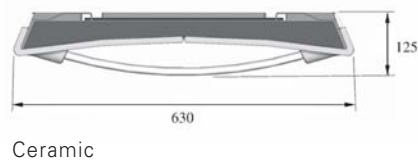
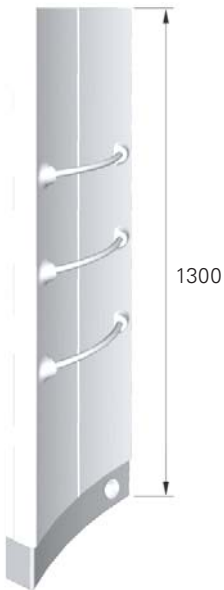
Thermostat
with time switch
8222/089

| Item name | Art.No.. | Dim. H/W/D (mm) | / p c . | Order amount | Glazes | Model | |
|----------------------------------|---------------|------------------------------|---------|--------------|--------------------------|-------|--|
| PLANE-ART Flute *) | PAR2000-600WS | 2000x600x100 | 2770,00 | | Shiny-Glazes | | |
| Heating with water + electricity | | | | | 751 white | | |
| PLANE-ART Flute *) | PAR2000-600ST | 2000x600x100 | 2563,00 | | 752 alabaster gloss | | |
| Heating with electricity | | | | | 753 black | | |
| PLANE-ART Flute *) | PAR2000-600WA | 2000x600x100 | 2022,00 | | | | |
| Heating with water | | | | | Matt-Glazes | | |
| Accessories | | | | | 461 alabaster matt | | |
| Towel holder stainless steel | 8222/043 | 690x161x85 | 231,00 | | 735 off-white | | |
| Towel holder gold shiny | 8222/106 | 690x161x85 | 371,00 | | 737 corn | | |
| Towel holder chrome shiny | 8222/107 | 690x161x85 | 298,00 | | | | |
| Towel holder chrome matt | 8222/108 | 690x161x85 | 311,00 | | Structured-Glazes | | |
| Clothes hook stainless steel | 8222/120 | 73x4x36 | 7,00 | | not possible due to | | |
| Metal plinth*) | | 142x595x90 | | | production techniques | | |
| Technology | | | | | | | |
| Control accessory: Thermostat*) | 8222/092 | without time switch | | | | | |
| Control accessory: Thermostat | 8222/089 | with time switch (Surcharge) | 121,00 | | | | |
| | | | | | | | |
| | | | | | | | |
| | | | | | | | |
| | | | | | | | |
| | | | | | | | |
| | | | | | | | |
| | | | | | | | |
| | | | | | | | |
| | | | | | | | |
| | | | | | | | |
| | | | | | | | |
| | | | | | | | |
| | | | | | | | |
| | | | | | | | |
| | | | | | | | |
| | | | | | | | |
| | | | | | | | |
| | | | | | | | |
| | | | | | | | |

All prices excl. VAT
 Dimensions in mm, not to scale
 See assembly instructions, column 6
 Subject to errors and technical changes

*) Standard option:
 Metal plinth , screw set, assembly instructions
 Heating with water: 2 wall connectors - shutoff valve 1/2" AG
 Heating with electricity: Thermostat 8222/092

SPACEY Smooth

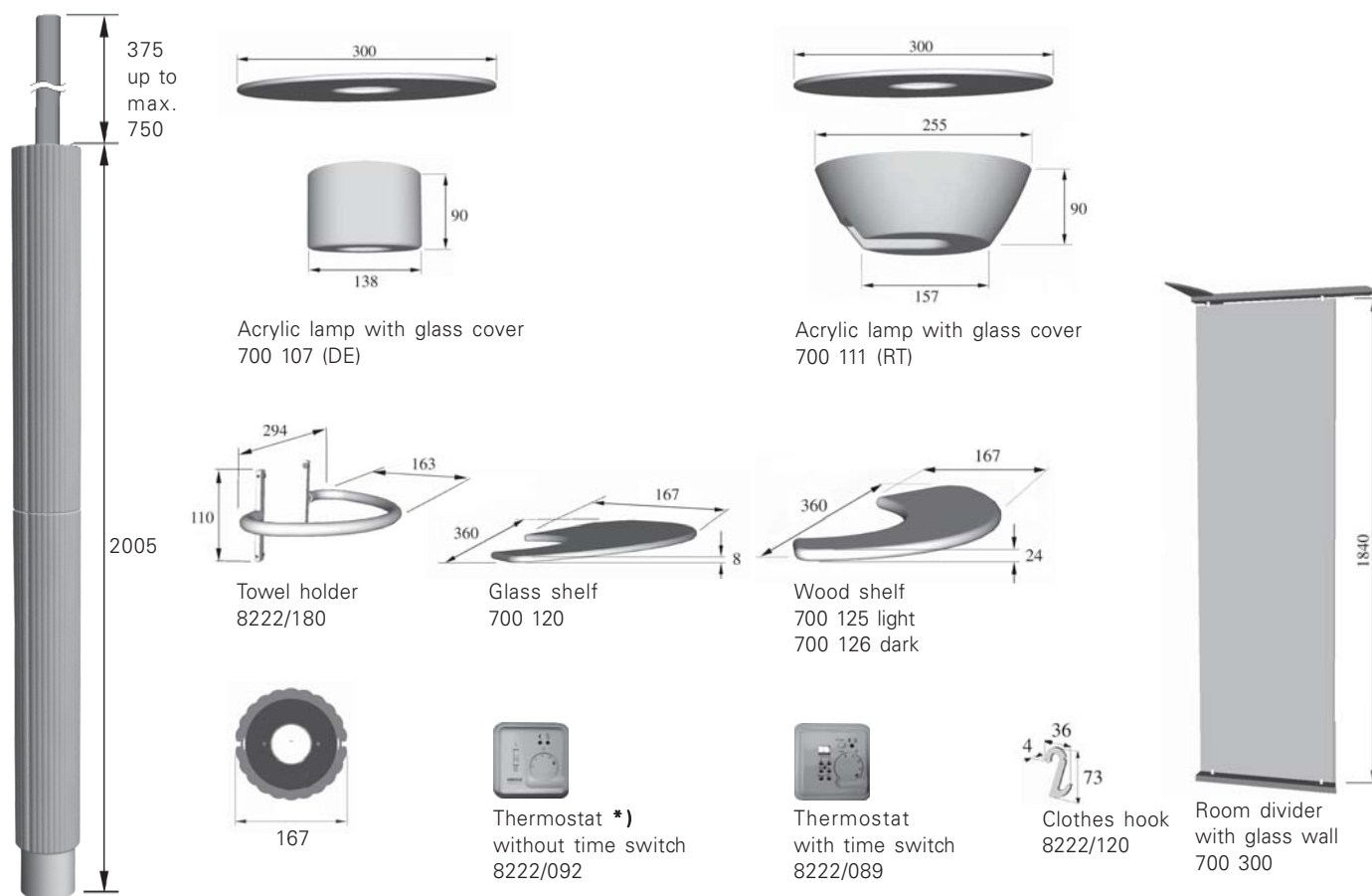


| Item name | Art.No.. | Dim. H/W/D (mm) | / p c . | Order amount | Glazes | Model |
|----------------------------------|---------------|--------------------------------|---------|--------------|--------------------------|-------|
| SPACEY Smooth*) | SAG1300-630WS | 1300x630x125 | 2574,00 | | Shiny-Glazes | |
| Heating with water + electricity | | | | | 751 white | |
| SPACEY Smooth*) | SAG1300-630ST | 1300x630x125 | 2240,00 | | 752 alabaster gloss | |
| Heating with electricity | | | | | 753 black | |
| SPACEY Smooth *) | SAG1300-630WA | 1300x630x125 | 2402,00 | | | |
| Heating with water | | | | | Matt-Glazes | |
| Accessories | | | | | 461 alabaster matt | |
| | | Surcharge towel holder (Set) | | | 735 off-white | |
| Towel holder gold shiny | 8222/193 | 406x193x100 | 295,00 | | 737 com | |
| Towel holder chrome shiny | 8222/194 | 406x193x100 | 177,00 | | | |
| Towel holder chrome matt | 8222/195 | 406x193x100 | 220,00 | | Structured-Glazes | |
| | | | | | 213 solnhofen | |
| | | | | | 215 ochre medium | |
| | | | | | 432 cocoa medium | |
| | | | | | 433 cocoa dark | |
| | | | | | 434 slate | |
| | | | | | 436 sandstone medium | |
| | | | | | 438 sandstone | |
| | | | | | 722 graphite | |
| | | | | | 723 lava | |
| | | | | | 725 saffron | |
| | | | | | 742 earth | |

All prices excl. VAT
 Dimensions in mm, not to scale
 See assembly instructions, column 6
 Subject to errors and technical changes

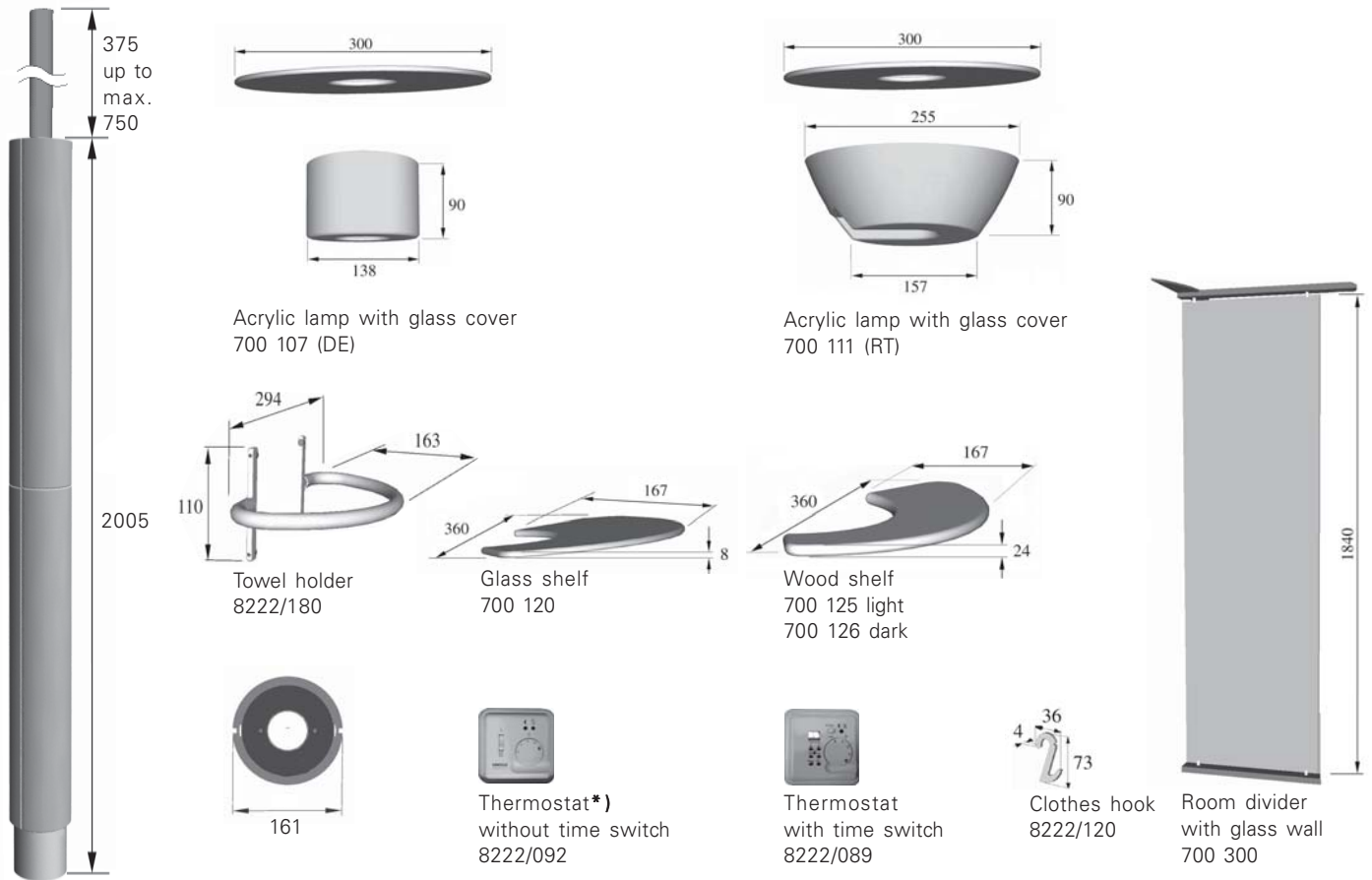
*) Standard option: 3 Towel holder stainless steel
 Metal plinth, screw set, assembly instructions
 Heating with water: 2 wall connectors - shutoff valve 1/2" AG
 Heating with electricity: Thermostat 8222/092

LOFT - A Flute



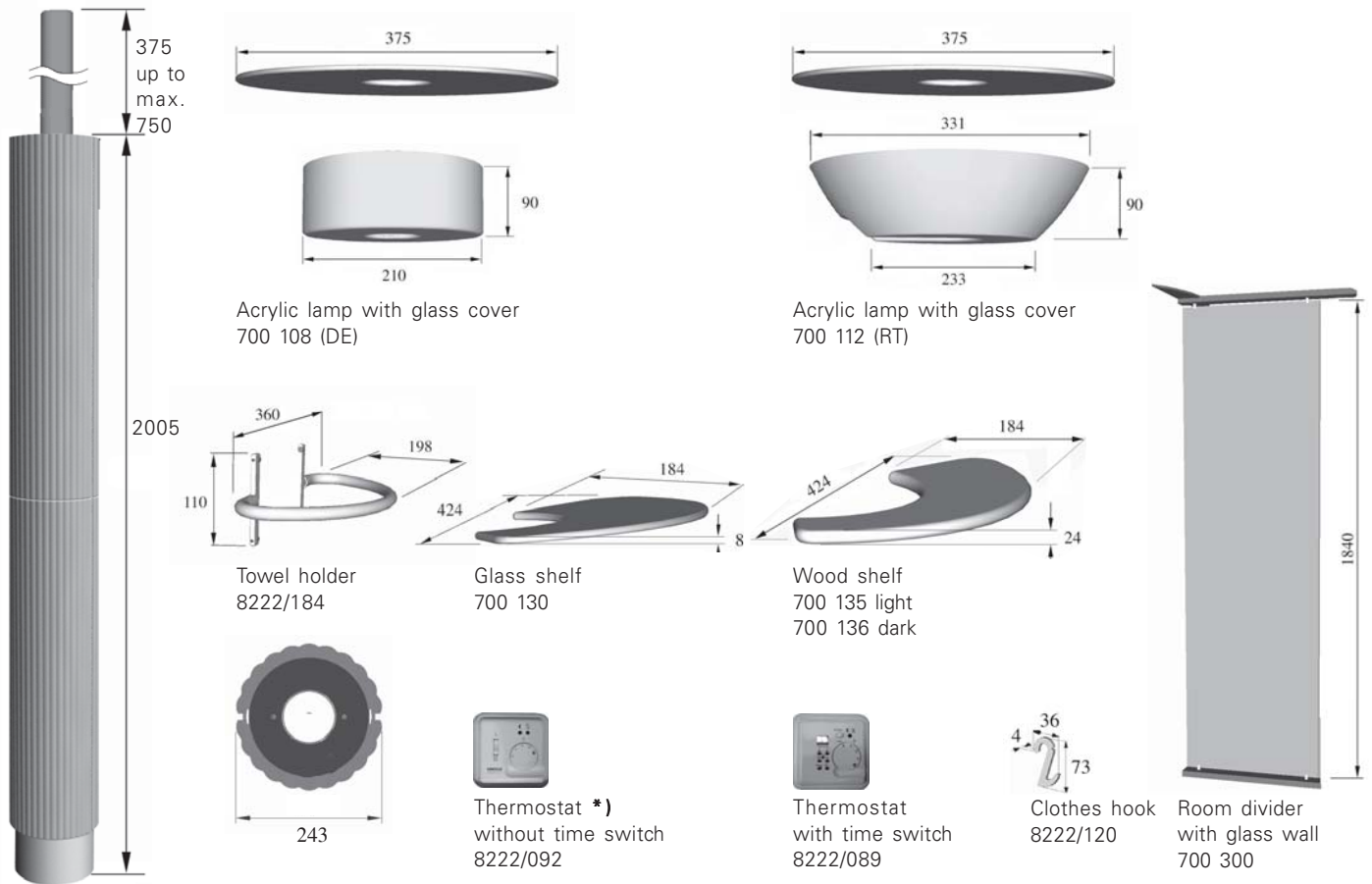
| Item name | Art.No.. | Dim. H/W/D (mm) | / p.c. | Order amount | Glazes | Model |
|---|---------------|------------------------------|---------|--------------|--------------------------|-------|
| LOFT - A Flute*) | LAR2005-167WS | 2005x167 | 2414,00 | | Shiny-Glazes | |
| Heating with water + electricity | | | | | 751 white | |
| LOFT - A Flute*) | LAR2005-167WA | 2005x167 | 1835,00 | | 752 alabaster gloss | |
| Heating with water | | | | | 753 black | |
| Accessories | | | | | | |
| Acrylic lamp with glass for ceiling support (DE) | 700107 | 98x300 | 277,00 | | Matt-Glazes | |
| Acrylic lamp with glass for room divider (RT) | 700111 | 98x300 | 332,00 | | 461 alabaster matt | |
| Towel holder stainless steel | 8222/180 | 294x163x110 | 226,00 | | 735 off-white | |
| Towel holder gold shiny | 8222/181 | 294x163x110 | 336,00 | | 737 corn | |
| Towel holder chrome shiny | 8222/182 | 294x163x110 | 278,00 | | | |
| Towel holder chrome matt | 8222/183 | 294x163x110 | 291,00 | | Structured-Glazes | |
| Glass shelf (Order towel holder with this!) | 700120 | 8x360x167 | 88,00 | | not possible due to | |
| Wood shelf light (Order towel holder with this!) | 700125 | 24x360x167 | 159,00 | | production techniques | |
| Wood shelf dark (Order towel holder with this!) | 700126 | 24x360x167 | 159,00 | | | |
| Clothes hook stainless steel | 8222/120 | 73x4x36 | 7,00 | | | |
| Surcharge room divider | | | | | | |
| Room divider with glass wall (satin) 350 | 700300 | see illustration | 311,00 | | | |
| Room divider with glass wall (satin) 450 | 700301 | see illustration | 345,00 | | | |
| Room divider with glass wall (satin) 550 | 700302 | see illustration | 381,00 | | | |
| Room divider with coat hanger 350 | 700310 | Dim. as for RT w.glass wall | 184,00 | | | |
| Room divider with coat hanger 450 | 700311 | Dim. as for RT w.glass wall | 204,00 | | | |
| Room divider with coat hanger 550 | 700312 | Dim. as for RT w.glass wall | 223,00 | | | |
| Metal plinth half with opening - for room divider *) | 8222/201 | 140x140x70 | | | | |
| Metal plinth *) | 8222/200 | 140x140x70 | | | | |
| Technology | | | | | | |
| Control accessory: Thermostat *) | 8222/092 | without time switch | | | | |
| Control accessory: Thermostat | 8222/089 | with time switch (Surcharge) | 121,00 | | | |
| All prices excl. VAT | | | | | | |
| Dimensions in mm, not to scale | | | | | | |
| See assembly instructions, column 6 | | | | | | |
| Subject to errors and technical changes | | | | | | |
| *) Standard option: sev. Metal plinth , screw set, assembly instructions Heating with water: 2 wall connectors - shutoff valve 1/2" AG Heating with electricity: Thermostat 8222/092 | | | | | | |

LOFT - A Smooth



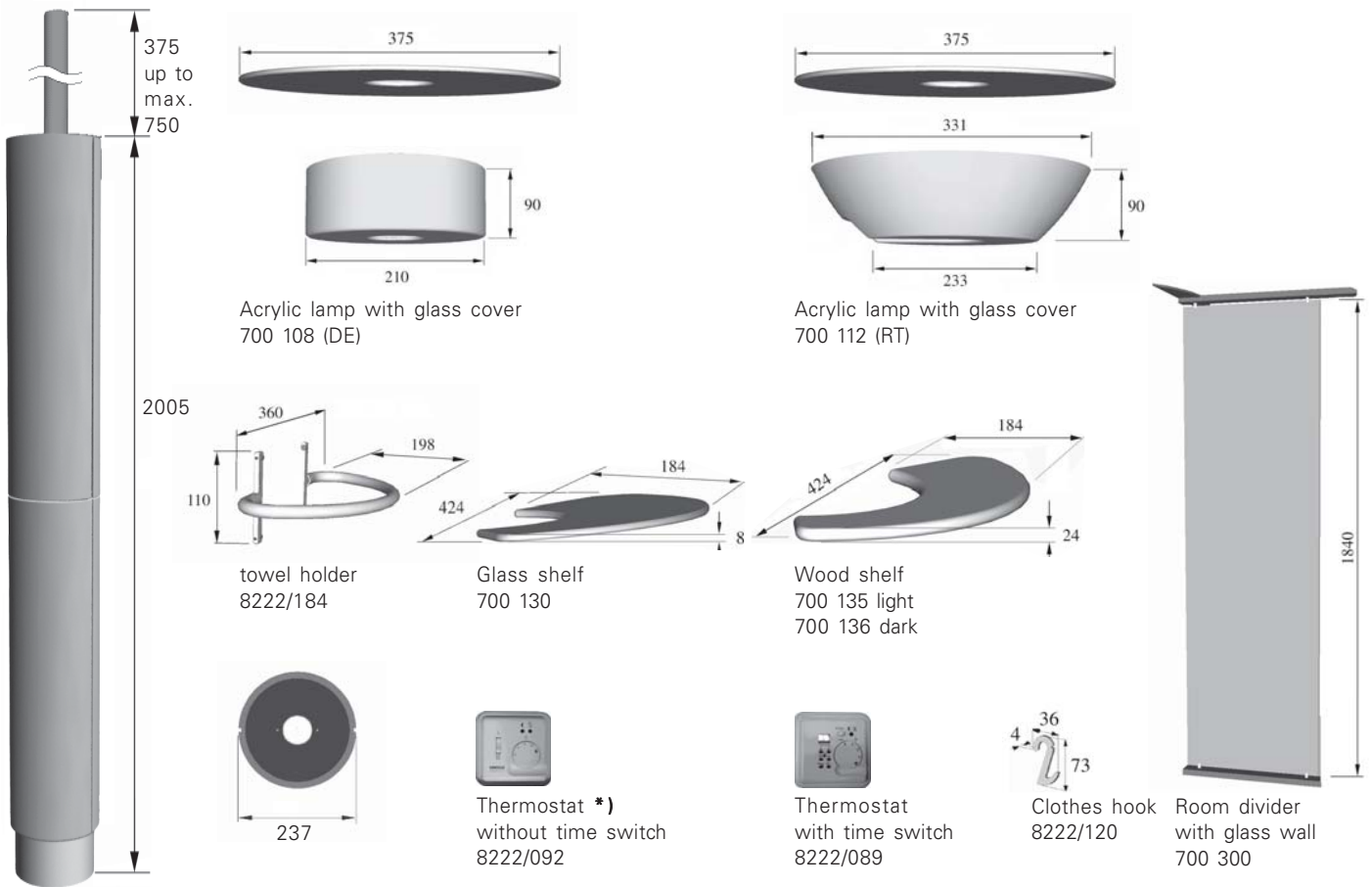
| Item name | Art.No.. | Dim. H/W/D (mm) | / p.c. | Order amount | Glazes | Model |
|--|---------------|------------------------------|---------|--------------|--------------------------|-------|
| LOFT - A Smooth*) | LAG2005-161WS | 2005x161 | 2306,00 | | Shiny-Glazes | |
| Heating with water + electricity | | | | | 751 white | |
| LOFT - A Smooth*) | LAG2005-161WA | 2005x161 | 1727,00 | | 752 alabaster gloss | |
| Heating with water | | | | | 753 black | |
| Accessories | | | | | | |
| Acrylic lamp with glass for ceiling support (DE) | 700107 | 98x300 | 277,00 | | Matt-Glazes | |
| Acrylic lamp with glass for room divider (RT) | 700111 | 98x300 | 332,00 | | 461 alabaster matt | |
| Towel holder stainless steel | 8222/180 | 294x163x110 | 226,00 | | 735 off-white | |
| Towel holder gold shiny | 8222/181 | 294x163x110 | 336,00 | | 737 corn | |
| Towel holder chrome shiny | 8222/182 | 294x163x110 | 278,00 | | | |
| Towel holder chrome matt | 8222/183 | 294x163x110 | 291,00 | | Structured-Glazes | |
| Glass shelf (Order towel holder with this!) | 700120 | 8x360x167 | 88,00 | | 213 solnhofen | |
| Wood shelf light (Order towel holder with this!) | 700125 | 24x360x167 | 159,00 | | 215 ochre medium | |
| Wood shelf dark (Order towel holder with this!) | 700126 | 24x360x167 | 159,00 | | 432 cocoa medium | |
| Clothes hook stainless steel | 8222/120 | 73x4x36 | 7,00 | | 433 cocoa dark | |
| | | | | | 434 slate | |
| | | | | | Surcharge room divider | |
| Room divider with glass wall (satin) 350 | 700300 | see illustration | 311,00 | | 436 sandstone medium | |
| Room divider with glass wall (satin) 450 | 700301 | see illustration | 345,00 | | 438 sandstone | |
| Room divider with glass wall (satin) 550 | 700302 | see illustration | 381,00 | | 722 graphite | |
| Room divider with coat hanger 350 | 700310 | Dim. as for RT w. glass wall | 184,00 | | 723 lava | |
| Room divider with coat hanger 450 | 700311 | Dim. as for RT w. glass wall | 204,00 | | 725 saffron | |
| Room divider with coat hanger 550 | 700312 | Dim. as for RT w. glass wall | 223,00 | | 742 earth | |
| Metal plinth half with opening - for room divider*) | 8222/201 | 140x140x70 | | | | |
| Metal plinth*) | 8222/200 | 140x140x70 | | | | |
| Technology | | | | | | |
| Control accessory: Thermostat*) | 8222/092 | without time switch | | | | |
| Control accessory: Thermostat | 8222/089 | with time switch (Surcharge) | 121,00 | | | |
| All prices excl. VAT | | | | | | |
| Dimensions in mm, not to scale | | | | | | |
| See assembly instructions, column 6 | | | | | | |
| Subject to errors and technical changes | | | | | | |
| *) Standard option: sev. Metal plinth, screw set, assembly instructions Heating with water: 2 wall connectors - shutoff valve 1/2" AG Heating with electricity: Thermostat 8222/092 | | | | | | |

LOFT - B Flute



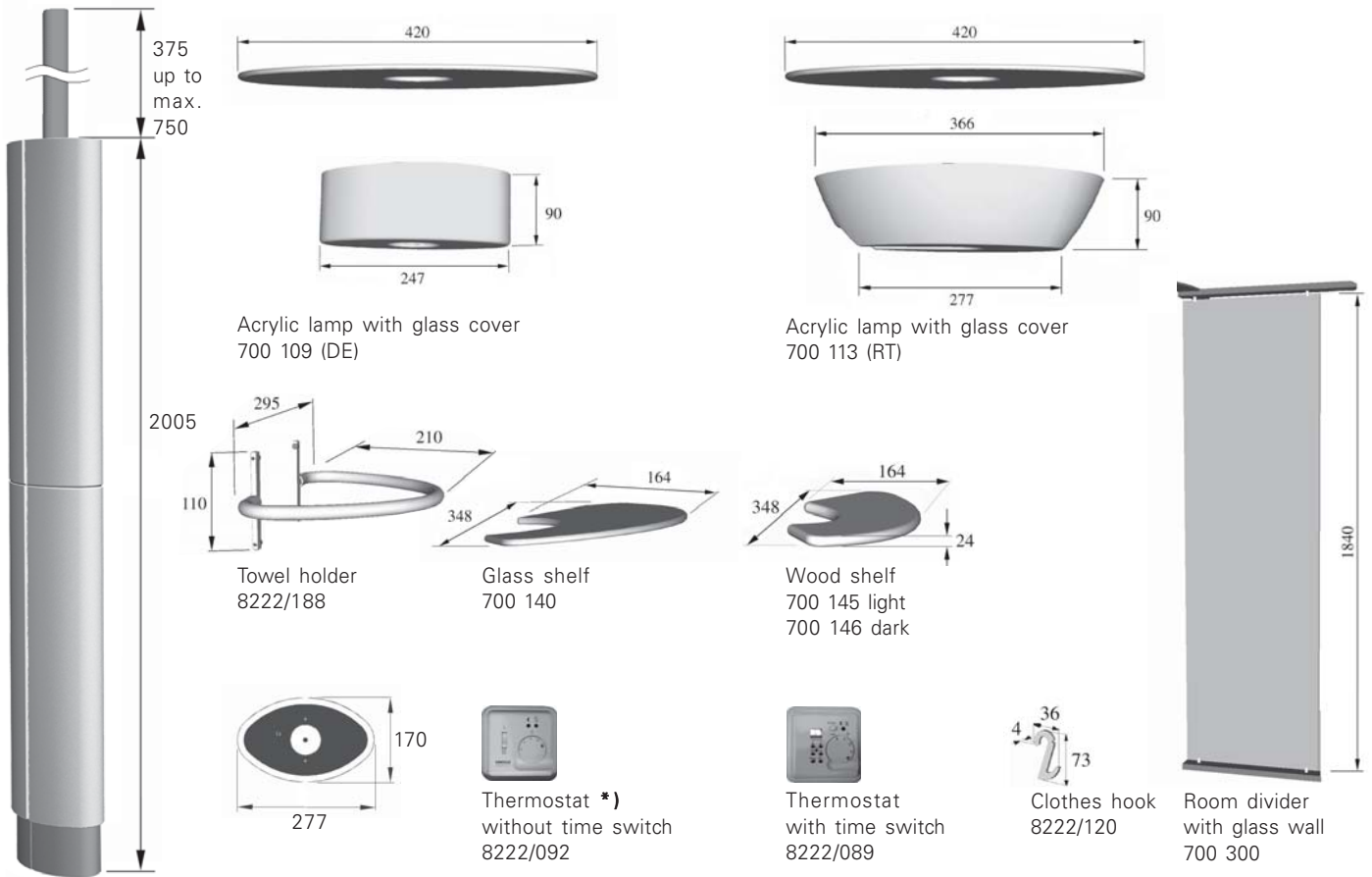
| Item name | Art.No.. | Dim. H/W/D (mm) | / p.c. | Order amount | Glazes | Model |
|--|---------------|------------------------------|---------|--------------|--------------------------|-------|
| LOFT - B Flute*) | LBR2005-243WS | 2005x243 | 3098,00 | | Shiny-Glazes | |
| Heating with water + electricity | | | | | 751 white | |
| LOFT - B Flute*) | LBR2005-243WA | 2005x243 | 2248,00 | | 752 alabaster gloss | |
| Heating with water | | | | | 753 black | |
| Accessories | | | | | | |
| Acrylic lamp with glass for ceiling support (DE) | 700108 | 98x375 | 278,00 | | Matt-Glazes | |
| Acrylic lamp with glass for room divider (RT) | 700112 | 98x375 | 335,00 | | 461 alabaster matt | |
| Towel holder stainless steel | 8222/184 | 360x198x110 | 226,00 | | 735 off-white | |
| Towel holder gold shiny | 8222/185 | 360x198x110 | 336,00 | | 737 corn | |
| Towel holder chrome shiny | 8222/186 | 360x198x110 | 278,00 | | | |
| Towel holder chrome matt | 8222/187 | 360x198x110 | 291,00 | | Structured-Glazes | |
| Glass shelf (Order towel holder with this!) | 700130 | 8x424x184 | 90,00 | | not possible due to | |
| Wood shelf light (Order towel holder with this!) | 700135 | 24x424x184 | 168,00 | | production techniques | |
| Wood shelf dark (Order towel holder with this!) | 700136 | 24x424x184 | 168,00 | | | |
| Clothes hook stainless steel | 8222/120 | 73x4x36 | 7,00 | | | |
| Surcharge room divider | | | | | | |
| Room divider with glass wall (satiné) 350 | 700300 | see illustration | 311,00 | | | |
| Room divider with glass wall (satiné) 450 | 700301 | see illustration | 345,00 | | | |
| Room divider with glass wall (satiné) 550 | 700302 | see illustration | 381,00 | | | |
| Room divider with coat hanger 350 | 700310 | Dim. as for RT w. glass wall | 187,00 | | | |
| Room divider with coat hanger 450 | 700311 | Dim. as for RT w. glass wall | 204,00 | | | |
| Room divider with coat hanger 550 | 700312 | Dim. as for RT w. glass wall | 223,00 | | | |
| Metal plinth half with opening - for room divider *) | 8222/203 | 140x215x107,5 | | | | |
| Metal plinth *) | 8222/202 | 140x215x107,5 | | | | |
| Technology | | | | | | |
| Control accessory: Thermostat *) | 8222/092 | without time switch | | | | |
| Control accessory: Thermostat | 8222/089 | with time switch (Surcharge) | 121,00 | | | |
| All prices excl. VAT | | | | | | |
| Dimensions in mm, not to scale | | | | | | |
| See assembly instructions, column 6 | | | | | | |
| Subject to errors and technical changes | | | | | | |
| *) Standard option: sev. Metal plinth, screw set, assembly instructions Heating with water: 2 wall connectors - shutoff valve 1/2" AG Heating with electricity: Thermostat 8222/092 | | | | | | |

LOFT - B Smooth



| Item name | Art.No.. | Dim. H/W/D (mm) | / p.c. | Order amount | Glazes | Model |
|--|---------------|------------------------------|---------|------------------------|--------------------------|-------|
| LOFT - B Smooth *) | LBG2005-237WS | 2005x237 | 2990,00 | | Shiny-Glazes | |
| Heating with water + electricity | | | | | 751 white | |
| LOFT - B Smooth *) | LBG2005-237WA | 2005x237 | 2140,00 | | 752 alabaster gloss | |
| Heating with water | | | | | 753 black | |
| Accessories | | | | | | |
| Acrylic lamp with glass for ceiling support (DE) | 700108 | 98x375 | 278,00 | | Matt-Glazes | |
| Acrylic lamp with glass for room divider (RT) | 700112 | 98x375 | 335,00 | | 461 alabaster matt | |
| Towel holder stainless steel | 8222/184 | 360x198x110 | 226,00 | | 735 off-white | |
| Towel holder gold shiny | 8222/185 | 360x198x110 | 336,00 | | 737 corn | |
| Towel holder chrome shiny | 8222/186 | 360x198x110 | 278,00 | | | |
| Towel holder chrome matt | 8222/187 | 360x198x110 | 291,00 | | Structured-Glazes | |
| Glass shelf (Order towel holder with this!) | 700130 | 8x424x184 | 90,00 | | 213 solnhofen | |
| Wood shelf light (Order towel holder with this!) | 700135 | 24x424x184 | 168,00 | | 215 ochre medium | |
| Wood shelf dark (Order towel holder with this!) | 700136 | 24x424x184 | 168,00 | | 432 cocoa medium | |
| Clothes hook stainless steel | 8222/120 | 73x4x36 | 7,00 | | 433 cocoa dark | |
| | | | | | 434 slate | |
| | | | | Surcharge room divider | 436 sandstone medium | |
| Room divider with glass wall (satin) 350 | 700300 | see illustration | 311,00 | | 438 sandstone | |
| Room divider with glass wall (satin) 450 | 700301 | see illustration | 345,00 | | 722 graphite | |
| Room divider with glass wall (satin) 550 | 700302 | see illustration | 381,00 | | 723 lava | |
| Room divider with coat hanger 350 | 700310 | Dim. as for RT w. glass wall | 184,00 | | 725 saffron | |
| Room divider with coat hanger 450 | 700311 | Dim. as for RT w. glass wall | 204,00 | | 742 earth | |
| Room divider with coat hanger 550 | 700312 | Dim. as for RT w. glass wall | 223,00 | | | |
| Metal plinth half with opening - for room divider *) | 8222/203 | 140x215x107,5 | | | | |
| Metal plinth *) | 8222/202 | 140x215x107,5 | | | | |
| Technology | | | | | | |
| Control accessory: Thermostat *) | 8222/092 | without time switch | | | | |
| Control accessory: Thermostat | 8222/089 | with time switch (Surcharge) | 121,00 | | | |
| All prices excl. VAT | | | | | | |
| Dimensions in mm, not to scale | | | | | | |
| See assembly instructions, column 6 | | | | | | |
| Subject to errors and technical changes | | | | | | |
| *) Standard option: sev. Metal plinth, screw set, assembly instructions Heating with water: 2 wall connectors - shutoff valve 1/2" AG Heating with electricity: Thermostat 8222/092 | | | | | | |

VISION - A Smooth



| Item name | Art.No.. | Dim. H/W/D (mm) | / p.c. | Order amount | Glazes | Model |
|--|---------------|------------------------------|---------|--------------|--------------------------|-------|
| VISION Smooth *) | VAG2005-170WS | 2005x277x170 | 2855,00 | | Shiny-Glazes | |
| Heating with water + electricity | | | | | 751 white | |
| VISION Smooth*) | VAG2005-170WA | 2005x277x170 | 2085,00 | | 752 alabaster gloss | |
| Heating with water | | | | | 753 black | |
| Accessories | | | | | | |
| Acrylic lamp with glass for ceiling support (DE) | 700109 | 98x420 | 282,00 | | Matt-Glazes | |
| Acrylic lamp with glass for room divider (RT) | 700113 | 98x420 | 336,00 | | 461 alabaster matt | |
| Towel holder stainless steel | 8222/188 | 295x210x110 | 226,00 | | 735 off-white | |
| Towel holder gold shiny | 8222/189 | 295x210x110 | 336,00 | | 737 corn | |
| Towel holder chrome shiny | 8222/190 | 295x210x110 | 278,00 | | | |
| Towel holder chrome matt | 8222/191 | 295x210x110 | 291,00 | | Structured-Glazes | |
| Glass shelf (Order towel holder with this!) | 700140 | 8x348x164 | 108,00 | | 213 solnhofen | |
| Wood shelf light (Order towel holder with this!) | 700145 | 24x348x164 | 157,00 | | 215 ochre medium | |
| Wood shelf dark (Order towel holder with this!) | 700146 | 24x348x164 | 157,00 | | 432 cocoa medium | |
| Clothes hook stainless steel | 8222/120 | 73x4x36 | 7,00 | | 433 cocoa dark | |
| | | | | | 434 slate | |
| | | | | | Surcharge room divider | |
| Room divider with glass wall (satin) 350 | 700300 | see illustration | 311,00 | | 436 sandstone medium | |
| Room divider with glass wall (satin) 450 | 700301 | see illustration | 345,00 | | 438 sandstone | |
| Room divider with glass wall (satin) 550 | 700302 | see illustration | 381,00 | | 722 graphite | |
| Room divider with coat hanger 350 | 700310 | Dim. as for RT w. glass wall | 184,00 | | 723 lava | |
| Room divider with coat hanger 450 | 700311 | Dim. as for RT w. glass wall | 204,00 | | 725 saffron | |
| Room divider with coat hanger 550 | 700312 | Dim. as for RT w. glass wall | 223,00 | | 742 earth | |
| Metal plinth half with opening - for room divider *) | 8222/205 | 140x144x122 | | | | |
| Metal plinth *) | 8222/204 | 140x144x122 | | | | |
| Technology | | | | | | |
| Control accessory: Thermostat *) | 8222/092 | without time switch | | | | |
| Control accessory: Thermostat | 8222/089 | with time switch (Surcharge) | 121,00 | | | |
| All prices excl. VAT | | | | | | |
| Dimensions in mm, not to scale | | | | | | |
| See assembly instructions, column 6 | | | | | | |
| Subject to errors and technical changes | | | | | | |
| *) Standard option: sev. Metal plinth, screw set, assembly instructions Heating with water: 2 wall connectors - shutoff valve 1/2" AG Heating with electricity: Thermostat 8222/092 | | | | | | |

Sommerhuber GmbH — General Conditions of Sale and Delivery

1. Definitions

- "Seller" means SOMMERHUBER GmbH, Steyr, Austria (registration number FN 183846)
"Buyer" means the business concern that accepts a quotation of Seller for the sale of Goods or whose order for the Goods is accepted by the Seller
"Goods" means the goods including any instalment of the goods or any part of them which the Seller is to supply in accordance with these Conditions
"Conditions" means the standard terms and conditions set out in this document and includes any other terms and conditions agreed in writing
"Contract" means the contract for the purchase and sale of the Goods
"writing" includes facsimile transmission, e-mails and similar means of communication

2. Definition of the sale

Seller shall sell and Buyer shall purchase the Goods subject in any case to these Conditions which shall govern to the exclusion of any other terms and conditions whatever. Any typographical, clerical or other error or omission in any document or information issued by Seller shall be subject to correction without any liability on the part of Seller.

3. Prices of the Goods

The prices and unit prices are subject to changes from time to time and are understood to be for packed ceramic stove goods and stove fittings; delivery is free of charge to Austrian and German destinations and f.o.b. ex Seller's factory in Steyr, Austria to other countries. Prices for **cool heat**[®] items and **enJOY**[®] are understood to be ex Seller's factory for both Austrian and foreign destinations. Prices charged for Goods will always be the prices applicable on the day the order is accepted by Seller. Prices quoted are exclusive of value added tax. Buyer shall be responsible for complying with any legislation or regulation governing the importation of the Goods into the country of destination and the payment of any duties thereon.

4. Risk

Delivery ex Seller's factory is on Buyer's account and risk shall pass to the Buyer at the time Goods are delivered f.o.b. to the carrier. Packing is done to a high standard by Seller who does not offer replacement for damaged or broken Goods, such damages should be reported to the carrier immediately after receipt of the Goods for possible recourse by Buyer against carrier.

5. Packing and express shipments

5.1 For deliveries inside Austria, packing costs are not charged. All packing provided by Sommerhuber is recovered under our ARA (Abfall Recycling Austria) Licence Nr. 6185. Packing can be dealt with under this number in Austria at no charge to the Buyer. When express shipments by Post or Rail are requested by Buyer, an additional three per cent (3%) of the price of the Goods will be charged. In the absence of other agreement, we reserve the right to select a method of delivery without obligation to check for the least expensive one.

5.2 For deliveries outside Austria, three per cent (3%) of the price of the Goods will be charged to Buyer to cover packing costs.

6. Delivery

Time for delivery shall not be the essence of any Contract. Quoted delivery dates, measurements, weights and prices are approximate only and are subject to changes. Seller reserves the right to make partial deliveries. Such partial deliveries shall not entitle Buyer to carriage-free subsequent deliveries or to any other claim against Seller. Seller shall not be liable for failure to meet delivery date resulting from acts of God, war, accidents or any other cause not the fault of and beyond the control of the Seller such as operational breakdown and raw material shortage of any kind.

If Buyer fails to take delivery of Goods ordered for collection Seller shall invoice Buyer's account one (1) month after completion of Goods, Seller shall consider order as fulfilled and risk of damage to or loss of the Goods shall pass to Buyer.

7. Warranty

The supply of Goods by the Seller to the Buyer shall be governed generally by the provisions of the Austrian Product Liability Act. However, warranty applies exclusively between Seller and Buyer hereto. Any claims made by contract partners or third parties from the "Product liability" chapter in terms of the PHG (product liability law), are excluded, unless the claim proves that the fault was caused by us or through our gross negligence.

No limitation, restriction, or exclusion of the obligations imposed on Buyer under the Austrian Product Liability Act shall be accepted by Seller. No limitation, restriction, or exclusion of Seller's rights under the Austrian Product Liability Act or any other legal basis shall be accepted by Seller.

8. Quality

Goods are produced in batches using good commercial practices and in accordance with Austrian norm: ÖNORM Ref: B 8304.

Due to variations inherent to the raw materials and manufacturing process used, some variations in colour and finish are unavoidable within a batch and particularly between batches, with replacement Goods and with subsequent orders and must, therefore, be accepted as such by Buyer. Glaze samples will always represent an average of colour and quality for a given batch. Per the reference norm, colour variations, blisters, blemishes and small surface scratches in the glaze may be present as long as they do not spoil the overall appearance of the Goods. Based on that same norm, crazes, fine hairline cracks in the glaze, minor flaws and bulges are not conditions acceptable for claims under warranty.

In case of hidden defects in the material such as limestone inclusions or air inclusions Seller will supply replacement Goods.

9. Claims

Claims must be filed with Seller within eight (8) days after receipt of the Goods and must be submitted in writing stating in detail the reason for the claim and invoice reference covering the Goods in question. Buyer must inspect deliveries and accompanying invoice documentation immediately upon receipt of the Goods as claims made after the eight (8) day shall not be accepted by Seller. Evidence of a defect or a delivery shortage does not give the Buyer the right to rectify such defect neither by himself nor through a third party. Buyer must request Seller to make good the defect within a reasonable time. Such rectification of defects will be carried out in the Steyr factory. Any Goods deemed defective that may be left with the Buyer for disposal are excluded from warranty and should neither be used nor be installed.

Seller shall not be liable for damages or losses resulting from the use of such defective Goods.

10. Return of goods

Buyer shall not be entitled to return Goods without prior consent in writing by the Seller.

11. Cancellation of Order

Cancellation of an order is possible only with the prior written consent of Seller. In this case Seller shall be entitled besides other statutory rights, to charge a cancellation fee equal to twenty per cent (20%) of the value of order. In case of postponed delivery or non-collection by Buyer of Goods intended for collection, Seller retains the right, after expiration of a period of one (1) month from date of invoice to dispose of the Goods in the most effective manner and at the Buyer's cost.

12. Terms of payment

Seller shall be entitled to invoice Buyer for the price of the Goods on or about the time Goods are ready for collection or shipment. Buyer shall pay the price of the Goods within thirty (30) days of the date of Seller's invoice, net of discount. If payment is received within eight (8) days following the date of invoice, Seller will grant a two per cent (2%) cash discount on the price of the Goods. For late payments Seller shall be entitled to charge Buyer interest both before and after any judgement, calculated on the amount unpaid on a daily basis at the rate of two per cent (2%) per annum above the overdraft rate of Bank Austria from time to time until payment in full is received by Seller. Buyer shall not be entitled to withhold payments due on the basis of counter-claims or set-offs.

Buyer shall be liable for all fees and costs for collecting overdue invoices.

13. Right of ownership:

13.1. Until payment in full has been received by Seller Goods remain the property of the Seller even if already processed and/or installed. Upon termination of a Contract Buyer's co-ownership in the Goods passes to the Seller proportionally to the amount paid against the value of the invoice. Buyer retains co-ownership in the Seller's Goods without charge.

13.2. Buyer is entitled, in the ordinary course of its business, to process and/or install the Goods in question, and provided he is not in arrears with the payments due, to dispose of said Goods. Buyer shall not be entitled to pledge or in any way charge by way of security for indebtedness any of the Goods which remain the property of Seller. Seller shall be entitled to the proceeds of any resale of Goods or to the claim for such proceeds until such time as the whole price for the Goods shall have been received by Seller. Seller's authorisation to Buyer for collection of outstanding accounts by said Buyer on behalf of Seller may be revoked if Buyer does not meet its payment obligation regularly and on time.

13.3. In the event of a breach of the terms of a Contract and in particular late payment, Seller shall be entitled to repossess the Contract Goods and/or request the transfer of the Buyer's claim for restitution of Goods from a third party to the Seller. Repossession of Goods by Seller does not constitute a termination of Contract.

14. Trade Marks: Sommerhuber[®], cool heat[®] and enJOY[®] are both registered trademarks of SOMMERHUBER GmbH, the Seller.

15. Place of fulfilment and jurisdiction: Place of fulfilment for both parties for all contractual obligations, especially delivery and payment, is Steyr. Jurisdiction for current and future claims regarding the business relationship for both parties is the responsible court in Steyr. This also applies for intervention cases and conflict announcements. This right of the seller to appeal to the customer's local court remains unaffected. In every case, Austrian law applies to the legal relationship between the seller and customer.

Steyr, January 2008

TAPIS.PL
ul. Wedkarska 5

93-458 Lodz
e-mail: spa@tapis.pl

tel. (042) 682 42 23
kom.: 796 131 171